

Submerged float switches for sewer systems

Submerged float switches(patented) water-resistant to 100 m depth, insensitive to humidity and condensation, with change over mercury or mechanical electric contacts 10 A 250V a.c.

Use

Regulation of particularly turbulent industrial waters containing residues of suspended agglomerations, or of sewer waters.

The submerged float switches mode LITTLE MERCURY/MC and LITTLE MERCURY/HG consist of:

- A single outer piece in blow moulded Polyethylene.
- Internal weight fixing the rotation centre (gravity centre) close to the cable connection.

The float switches are filled with closed cell non hygroscopic expanded polyurethane, eliminating all air, sealing the unit and completely surrounding the electric control switch against water and condensation.

* HG version available for extra CEE countries only.

Information:

- Level regulator for liquids.
- Device of command on flexible cable.
- Right for environment at normal pollution.
- Power supply cable not replaceable, in case of damage the entire device must be rejected.

LITTLE MERCURY/MC = TYPE OF ACTION 1A
LITTLE MERCURY/HG = TYPE OF ACTION 1C



Tutti i dati ed i contenuti di questa scheda sono di proprietà esclusiva di Riels Instruments

Accessories on request



SUSPENDED CABLE GLAND



COUNTERWEIGHT 360 GR.

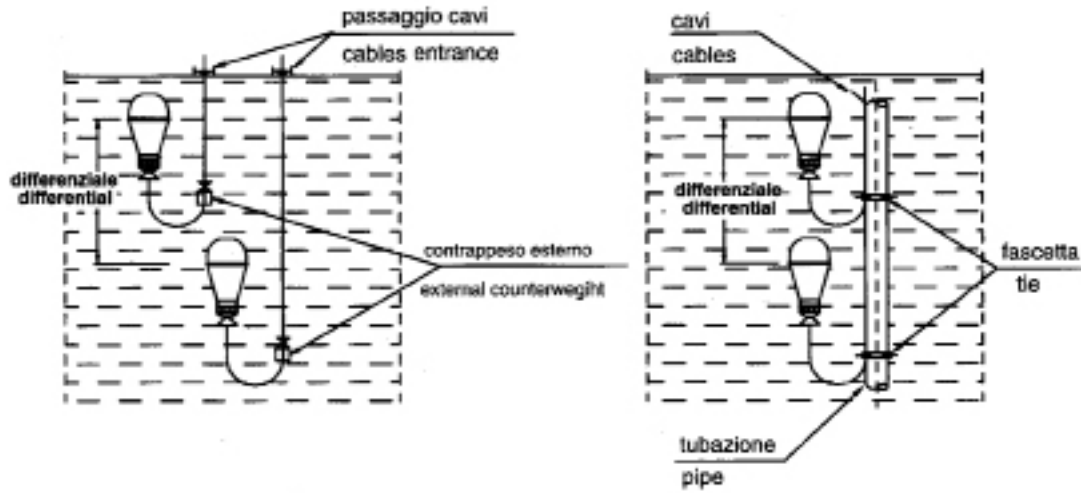


STANDARD COUNTERWEIGHT

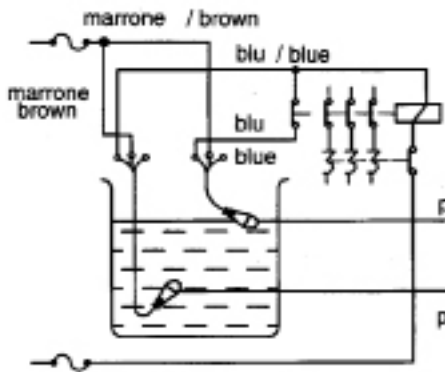


PANEL WITH INPUT FOR 2 LEVEL REGULATORS AND SINGLE CHANGE OVER OUTPUT, UP TO 2HP 220V A.C. 50 HZ.

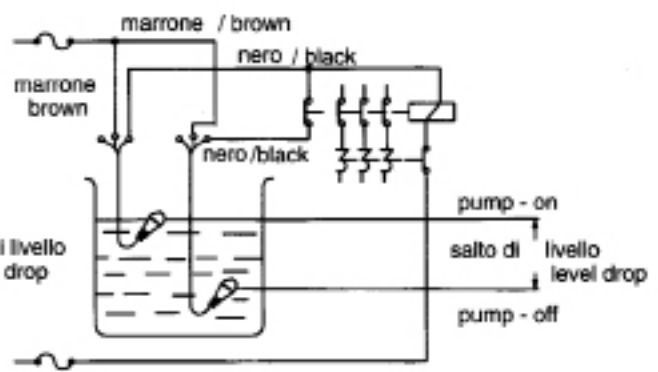
Installation



schema di collegamento per pompa di riempimento
wiring diagram for filling pump



schema di collegamento per pompa di svuotamento
wiring diagram for emptying pump



Tutti i dati ed i contenuti di questa scheda sono di proprietà esclusiva di Riels Instruments