

Enclosures:

Cast Aluminum:
Oven baked powder coating
hammertone grey

**Also available in
SS 316**

Wheaterproof IP 66 -
EN 60529 - Eex-d IICT6

(Nema 4X) -

Repeatability:
typical 0.2% of Full Scale

Range & Scale
Standard unit: **Bar**
Optional: **PSI / Kg / Pa**

Standard process connetion:
1/4" NPT (F) or BSP (F)

Standard Diaphragm/O-ring:

D..L/ M: Buna N / Buna N

D..H: TCP/ Buna N

For wetted parts:
more possibilities available,
see full catalogue



Ranges for Differential switches

RANGE CODE	ADJUSTABLE DIFF. RANGE ¹⁾		TYPICAL DEADBAND ¹⁾		MAX. STATIC PRESSURE		MAX. VERRANGE PRESSURE		PROOF PRESSURE	
	mBar / Bar		mBar / Bar		Bar		Bar		Bar	
D 302 L	12 - 75 ²⁾	mBar	7	mBar	30	Bar	30 ³⁾	Bar	35	Bar
D 304 L	22 - 180	mBar	8	mBar						
D 306 L	25 - 450	mBar	11	mBar						
D 309 L	35 - 1250	mBar	15	mBar	10	Bar	140 ⁴⁾	Bar	140	Bar
D 402 M	0.3 - 1.0	Bar	0.15	Bar						
D 404 M	0.5 - 2.5	Bar	0.2	Bar						
D 406 M	1.0 - 6.0	Bar								
D 408 M	1.0 - 14.5	Bar	0.8	Bar	100	Bar	200 ⁴⁾	Bar	200	Bar
D 506 M	5 - 20	Bar								
D 508 M	10 - 50	Bar								
D 608 M	10 - 70	Bar	1.5	Bar	140	Bar	200 ⁴⁾	Bar	200	Bar
D 352 H	80 - 160	mBar	25	mBar						
D 354 H	100 - 500	mBar	35	mBar	200	Bar	200 ⁴⁾	Bar	200	Bar
D 356 H	120 - 1450	mBar	50	mBar						
D 359 H	150 - 3450	mBar	75	mBar						

NOTES:

- ¹⁾ Ranges and deadbands are given at 50% of Max. Static pressure.
All differential pressure sensors are sensitive to static pressure, both for setpoint and deadband.
- ²⁾ Range only with L1 micro switch.
- ³⁾ D...L can withstand a differential pressure P-low max. 1 bar above P-High.
- ⁴⁾ D...M, D...H can sustain full High and Low-side reversal.

IN THE FOLLOWING TABLE THE ESTIMATED INFLUENCE FOR INCREASING STATIC PRESSURE IS GIVEN.

SENSOR	SETPOINT	DEADBAND
D...L	- 0.7 mBar/Bar	= - 0.1 mBar/Bar
D...M	= + 3 mBar/Bar	+ 10 mBar/Bar
D...H	- 2 mBar/Bar	= - 0.4 mBar/Bar

Example: D...H-type Diff. setpoint: 1 bar (1000 mbar). If static pressure increases 10 bar
Diff.setpoint will be (10 x - 2 mbar) = - 20 mbar less = 980 mbar.

NOTE: For differential application outside above ranges contact Riels@Instruments Srl



Disclaimer: We reserve the right to make changes or modify the contents of this document without prior notice. Riels@Instruments Srl does not accept any liability or claim whatsoever for potential errors, incorrect interpretation or possible lack of information in this document. It is clearly and only intended as course and general information of our products.

Making the modelcode: Follow steps 1 to 5

1 Selection of enclosure type.

Conduit	Material	Enclosure code
3/4" NPT F	Aluminium	W3
M20x1.5	SS 316	W8
3/4" NPT F	SS 316	W9

2 Selection of range code, see front page.

3 Selection of process connection.

Size	Material	Code
1/4"NPT F	SS316 *	S1N
1/4"BSP F	SS316 *	S1B
1/4"NPT F	Aluminium **	A1N
1/4"BSP F	Aluminium **	A1B
1/2"NPT M	SS316	S7N

* Only for D..H, D..D and D..M available

** D.. L: A1N or A1B For low side only.
High side: Only "L"-sensor connection

Proces connection according to NACE standard are available.
Contact Riels@Instruments Srl.

4 Selection of wetted parts *

Diaphragm	O-ring	Code
Buna N	Buna N	B1 **
Viton	Viton	V2 **
SS316	Buna N	S1
SS316	Viton	S2
SS316	Teflon	S4 **
SS316	EPDM	S6
SS316	Welded	S0 **

** Not possible for D..H. (P1 = Standard for D..H)

*** WETTED PARTS ARE NOT GUARANTEED,**
against corrosion or permeation since processes vary from plant to plant and concentration of harmful fluids, gasses or solids vary from time to time in a given process. Empirical experience by users should be the final guide and alternate materials based on this are generally available. The diaphragm / O-Ring combinations are for process temperatures of -5°C to +90°C, unless otherwise indicated. For process temperatures beyond these limits, please contact Riels@Instruments Srl

Accessories:

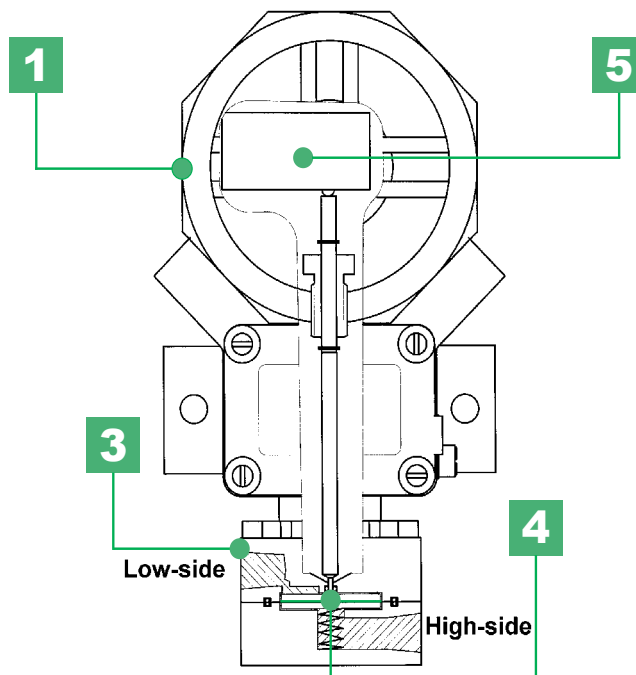
2" Pipe mount bracket set available.

Contents :

2 x Bracket +
2 x bolts M8 x 100 mm + nut

Disclaimer :

This pipe mount bracket is solely intended for use in combination with Riels@Instruments Srl. Foundation vibrations, as well as process vibrations, can disturb the proper functioning of the mounted instrument, the use of this bracket does not prevent or diminishes such occurrence.



5 Selection of microswitches.

Rating:		Use:	Switch Code
VAC.	VDC. ³⁾		
480/ 15A	28/ 0.5A	Standard	K1 ²⁾
480/ 10A	28/ 0.5A	Standaard for L-serie	L1 ²⁾
480/ 15A	125/ 0.5A	Normal DC-service	U1 ²⁾
125/ 1A	28/ 0.5A	For use in H ₂ S environment and/or for (EEx)i applications. ³⁾	G1 **
250/ 0.1A	30/ 0.1A		Y1 ¹⁾
250/ 0.1A	30/ 0.1A	Environmental proof (IP 67)	O1 ¹⁾
250/ 2A	30/ 2A		N1 ¹⁾

1) For D.P.D.T action, second code figure should be specified as "2"

For example: Y1 = S.P.D.T./ Y2 = D.P.D.T

2) VDE certified acc. to DIN EN 61 058-1:1992+A1:1993.

3) Indicated ratings are for resistive DC load only.

** DC Rating not U.L. listed, although experience and third party testing confirm the D.C Voltage ratings. Contact Riels@Instruments Srl

6 Selection of options.

Description	Option code
Cable gland	C
Vacuum Protection Plate	M
Stainless steel tag key ringed to enclosure (Tag has 2 lines - 16 charaters per line)	S

* Not possible for D..H. (Standard for D..L)