

## Paddle flow switch RIV155 Series



### Principle and structure:

This Paddle Flow Controller is developed by our company on the basis of analyzing and researching the disadvantages of other paddle flow switch in market. It with compact size、excellent performance. Compared with traditional target paddle flow switch, its performance is higher. Adopts plug-in mounting, mechanical type and micro switch.

### Features:

With very low pressure loss、good repeatability、dirt-resistant performance. The precise setting can be achieved by knob. Hermetic separation of electrical and hydraulic components. Not contain bellows, reed switch do not touch with metal parts, so the rust resulted from condensation water can be effectively avoided. Various models can meet different requirement. Imported micro switch can load heavy current, which can avoid the fault resulted from the reed switch. It is the best choice of central air conditioner and industrial flow control for flow protection.

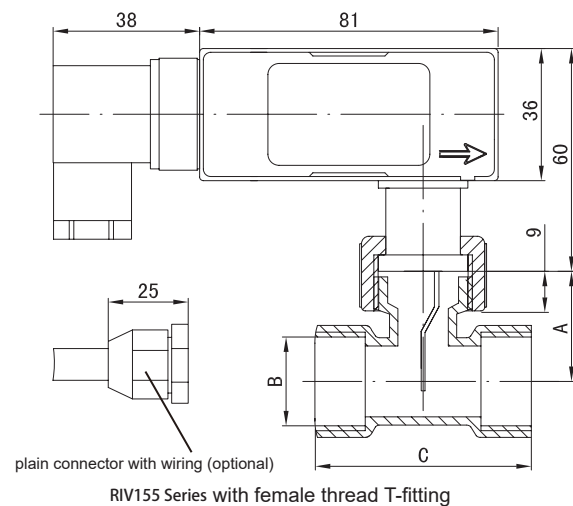
### Parameter table:

pipe diameter	model	Flow range l/min(water)				Max flow l/min(water)	A mm	B mm	C mm
		A	B	C	D				
DN15	RIV155-15GM	3.3(2.8)~4.4(3.7)	5.3(4.5)~7.2(6.1)	6.0(5.1)~8.1(6.9)	8.4(7.1)~11.3(9.6)	20	28	G1/2	50
DN20	RIV155-20GM	5.8(4.9)~7.8(6.7)	9.4(8.0)~12.8(10.8)	10.6(9.1)~14.4(12.2)	14.9(12.6)~20.1(17.1)	40	28	G3/4	58
DN25	RIV155-25GM	9.1(7.7)~12.3(10.4)	14.7(12.5)~19.9(16.9)	16.6(14.1)~22.5(19.1)	23.2(19.8)~31.4(26.7)	60	36	G1	58
DN32	RIV155-32GM	14.8(12.6)~20.1(17.1)	24.1(20.5)~32.7(27.8)	27.3(23.2)~36.9(31.4)	38.1(32.4)~51.5(43.8)	80	34	G1-1/4	72
DN40	RIV155-40GM	23.2(19.7)~31.4(26.7)	37.7(32.1)~51.0(43.4)	42.6(36.2)~57.6(49.0)	59.5(50.6)~80.5(68.4)	100	39	G1-1/2	72
DN50	RIV155-50GM	36.2(30.8)~49.0(41.7)	59.0(50.1)~79.8(67.8)	66.6(56.6)~90.0(76.5)	93.0(79.0)~125.8(106.9)	150	44	G2	72

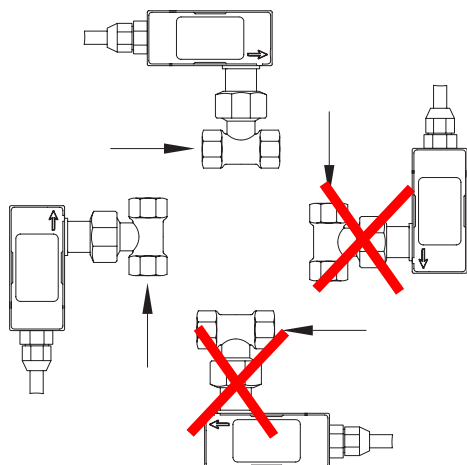
Note: in the flow range parameters in the above table, the action flow point is outside the bracket, and the reset flow point is inside the bracket.

### Technical parameters:

- △ Max. voltage: 250VAC(no status light)  
24VDC±10% (with status light)
- △ Max. current: 5A
- △ Mode of connection: DIN 43650A connector/direct connect for optional
- △ Output: SPST micro-switch, one or two output for optional, optional status light
- △ Pressure: 25bar, custom-made
- △ Average press loss: 0.01bar at Q.max
- △ Temperature: -20~90°C
- △ Protection class: IP65
- △ Material: Body: nickel plated brass  
Paddle: stainless steel  
Seal: PTFE  
Electrical shell: ABS



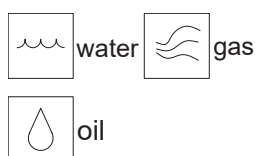
### Installation position:



### Application:

gaseous /liquid. It is mainly applicable to industrial automation/mechanical equipment/air compressing industry/refrigeration and air-conditioner/water-cool welding machine/cooling system of laser equipment/ vacuum coating machine/electric stove/ silicon polycrystal ingot furnace. The magnet not contact with flowing water, so can normally work in sewage discharging system.

### Metering substance:



Please indicate your metering substance with your order.

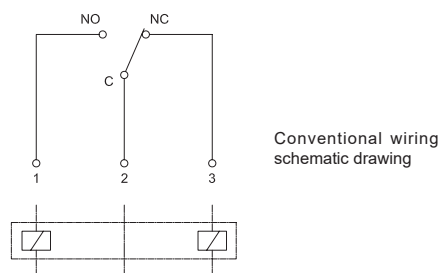
### Selection table:

RIV155	10GM	B	A	1A	010	/1M	详 述
RIV155							WFS22 Paddle flow switch
	10GM						Nominal size: G3/8 (T-fitting size)
	15GM						Nominal size: G1/2 (T-fitting size)
	20GM						Nominal size: G3/4 (T-fitting size)
	25GM						Nominal size: G1 (T-fitting size)
	32GM						Nominal size: G1-1/4 (T-fitting size)
	40GM						Nominal size: G1-1/2 (T-fitting size)
	50GM						Nominal size: G2 (T-fitting size)
		B					Body material:Nickel plated brass
			A				Mode of connection:Female thread T-fitting
				1A			Cable: DIN 43650, the letter indicate the mode of connection, see the wiring schematic drawing
				2A			Cable: plain connector, the letter indicate the mode of connection, see the wiring schematic drawing
					010		Max. setting range, L/min, Please see Technical Data
						/1M	Cable length: DIN43650 plug, no this item
						...	...

### Order prompt:

- Please indicate the medium flow direction, medium type, pipe diameter and expected setting value when ordering. We can help you complete the settings at the factory.
- For viscous medium, please indicate viscosity, temperature and medium type.
- If it is a gas medium, please indicate the pressure (gauge pressure / absolute pressure), temperature and medium type.

### Wiring schematic drawing(DIN 43650connector)



Conventional wiring schematic drawing