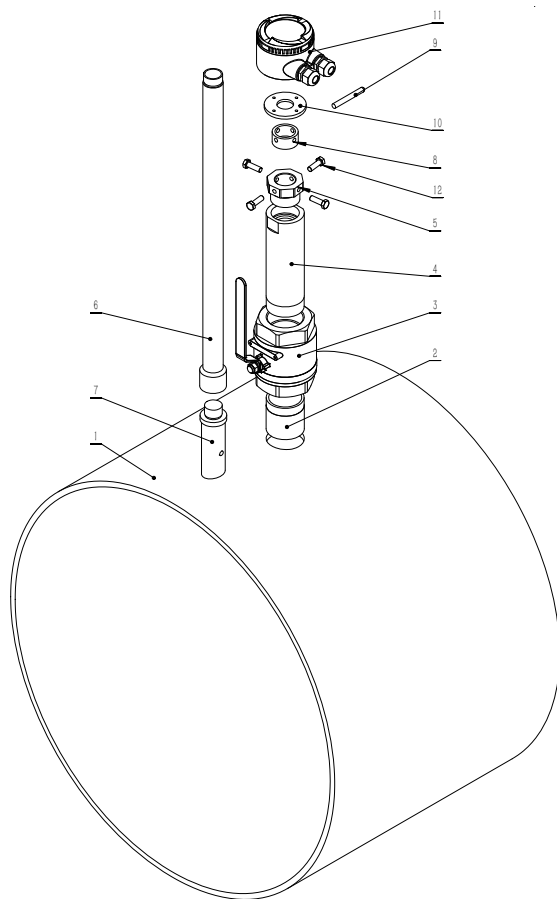


### RIF180 | Insertion Type Electromagnetic Flowmeter

- No moving parts in the measuring pipe to facilitate maintenance and management
- No obstacle parts, no pressure loss, sensor with long service life
- Conductivity of measured liquid can reach at least 20  $\mu\text{S}/\text{cm}$
- Various liner and electrode materials satisfy most industrial applications
- High accuracy, generally  $\pm 1\%$
- Hot tap installation



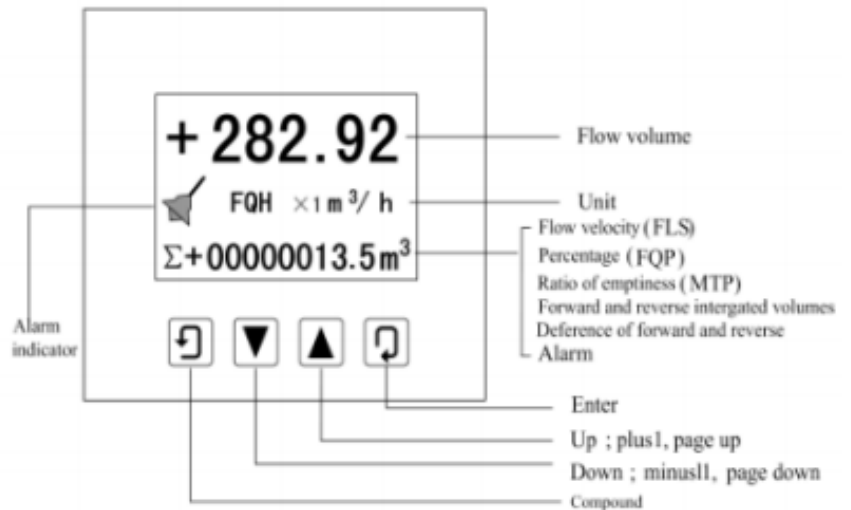
Insertion Type Electromagnetic flowmeter technical data:	
Medium Conductivity	> 20 $\mu\text{S}/\text{cm}$
Size	DN100-2000 mm
Measuring Range	0.2-10 m/s max
Accuracy	Flow rate of full range > 1m/s, $\pm 1\%$
Measuring Probe Material	ABS
Nominal Pressure	1.6MPa
Measuring pipe material	Stainless steel
Medium Temperature	-20°C...+80°C
Environment Temperature	-25°C...+60°C
Electrode material	Stainless Steel AISI316
Length of straight pipe	Upstream 30DN, Downstream 10DN
Degree Protection	IP65 (IP68 on request)
Connection	Thread type



- |    |                             |
|----|-----------------------------|
| 1  | Pipeline                    |
| 2  | Weldin base                 |
| 3  | DN50 (2") thread ball valve |
| 4  | Sealing components          |
| 5  | Octagonal nut               |
| 6  | Meter rod                   |
| 7  | Probe                       |
| 8  | Flow direction circle       |
| 9  | Flow direction rod          |
| 10 | Meter plate                 |
| 11 | Terminal box                |
| 12 | Bolts M8x25                 |

Tutti i dati ed i contenuti di questa scheda sono di proprietà esclusiva di Riels Instruments

## Wall mounting converter RIF010W



LCD display	Flow volume; Flow velocity (FLS); Percent of flow (FQP); Ratio of Emptiness (MTP); Forward and reverse intergated volume; Deference of forwarder and reverse; Alarm
Output	Current 4...20 mA, Pulse output: Range 0÷100 impulsi/s Frequency output 1÷5000 hz
Alarm output	Flow rate max Flow rate min
Communication	RS485 Modbus communication
Cut-Off	Free setting
Language	Italian/English
Supply	85...250 V c.a.   20...36 V c.c.

## Dimensions

